



NOZZLES



P-SERIES FLAT SPRAY NOZZLE

P-Series nozzles have many applications including:

Wet screening • Ore washing • Cooling • Medium recovery • Froth suppression • Conveyor belt cleaning • Slimes Removal • Dust suppression

This range of nozzles is designed to handle fluctuating solid contents without blocking.

Design Features

- Male connection: 3/4" BSP pipe socket
- Polyurethane construction
- Non blocking orifice sizes: 3, 5, 7, 9, 11mm (circular)
- Flow rates: see graph below
- Corrosion and Wear Resistant

Spray Characteristics

- Spray pattern: Flat fan
- Dimensions: see table below
- Uniform water curtain with high operating efficiency



GREY 3mm
RAA050



GREEN 5mm
RAA013



BLUE 7mm
RAA014



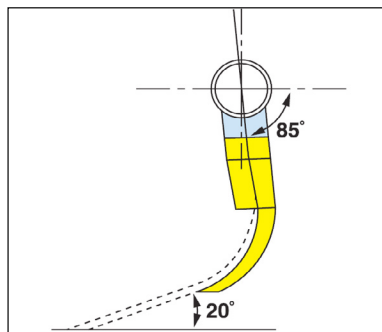
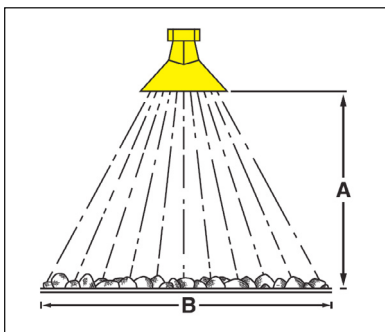
YELLOW 9mm
RAA015



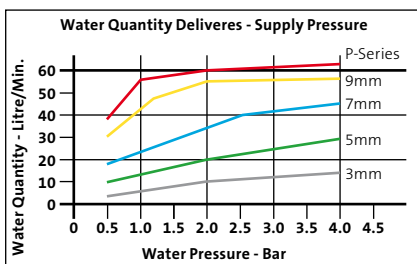
RED 11mm
RAA016



ORANGE 13mm
RAA051



The P-Series nozzles operate with maximum efficiency in the 1.5 to 2.5 bar pressure range.



HEIGHT 'a' (mm)		200	300	400
SPRAY SIZE (ORIGICE)	PRESSURE (BAR)	OPERATING WIDTH OF SPRAY - 'b' (mm)		
3	1.5	400	500	700
	2.5	500	600	800
5	1.5	400	500	700
	2.5	500	600	800
7	1.5	350	450	500
	2.5	400	550	700
9	1.5	500	600	800
	2.5	600	700	1000
11	1.5	500	600	800
	2.5	600	700	1000

The data tables give a guide to the size and number of sprays and the optimum height and operating pressure. For most operations, the angle to install the spray is 20° as shown.

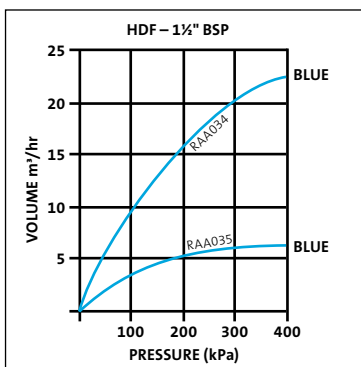
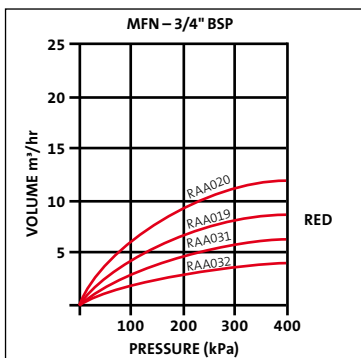
FLOOD NOZZLE

Design Features

- Male connection: 1½" to 3/8" BSP thread size
- Micro Flood Nozzles with 3/8" BSP thread are available for dust suppression, froth suppression, filter washing and a variety of other applications
- HDPE construction (abrasion resistant)
- Available orifice sizes 3, 5, 7, 9, 10, 11, 13, 18, 25mm
- The orifice diameter for standard sizes (Heavy Duty - 25, 18, & 10mm) facilitates uninterrupted flow by reducing blockage problems due to contaminated water
- Larger orifice sizes are blockage resistant
- The Flood Nozzle replaces 2 or 3 conventional spray nozzles with one, by utilising the 120° spray angle
- Flood Nozzle design reduces downtime and ensures constant efficient operation

Spray Characteristics

- Spray pattern: flat fan
- Flow rate: see graph



Ordering Information

Specify nozzle type by quoting codes.

SIZE	COLOUR	FLOWRATE litre/min	
		2 Bar	2.5 Bar
RAA036	Yellow	55	56
RAA037	Yellow	20	40
RAA038	Yellow	35	24
RAA039	Yellow	17	20

Screen Width (mm)	No. req. per Screen Width	
	HDF Nozzle	MFN Nozzle
915	1	2
1220	1	2
1524	2	3
1830	2	3
2130	3	4
2440	3	4
2750	3	5
3050	4	6

Nozzle Micro Flood

- Yellow 3mm RAA039
- Yellow 5mm RAA038
- Yellow 7mm RAA037
- Yellow 9mm RAA036



Nozzle Mini Flood

- Red 7mm RAA032
- Red 9mm RAA031
- Red 11mm RAA019
- Red 13mm RAA020



Nozzle Heavy Duty

- Blue 10mm RAA035
- Blue 18mm RAA034
- Blue 25mm RAA033



The Flood Nozzle can be mounted horizontally behind the spray pipe reducing the possibility of damage from the flow of the screen material.



The Flood Nozzle can be mounted at an angle up to 45° to tumble the material.

Editorial information
Freudenberg FST GmbH
Höhnerweg 2-4
69465 Weinheim, Germany

Published by:
Freudenberg Sealing Technologies Pty Ltd.
42 Kremzow Rd, Brendale, QLD 4500
Phone: 131 858
sales.au@fst.com
www.fst.com | australiashop.fst.com | dichtomatik.fst.com

December 2019

CONTACT US

YOUR LOCAL SUPPORT IN AUSTRALIA

QUEENSLAND (HEAD OFFICE)

Phone: 131 858
Email: sales.au@fst.com
Address: 42 Kremzow Road, Brendale QLD 4500

SOUTH AUSTRALIA

Phone: 131 858
Email: sales.au@fst.com

NEW SOUTH WALES

Phone: 131 858
Email: sales.au@fst.com
Address: Unit 11 / 14 Holbeche Road, Arndell Park NSW 2148

WESTERN AUSTRALIA

Phone: 131 858
Email: sales.au@fst.com
Address: 57 Tacoma Circuit, Canning Vale WA 6155

VICTORIA

Phone: 131 858
Email: sales.au@fst.com
Address: 3 Brand Drive, Thomastown VIC 3074